

Proposed MBS Design For Development Amendment

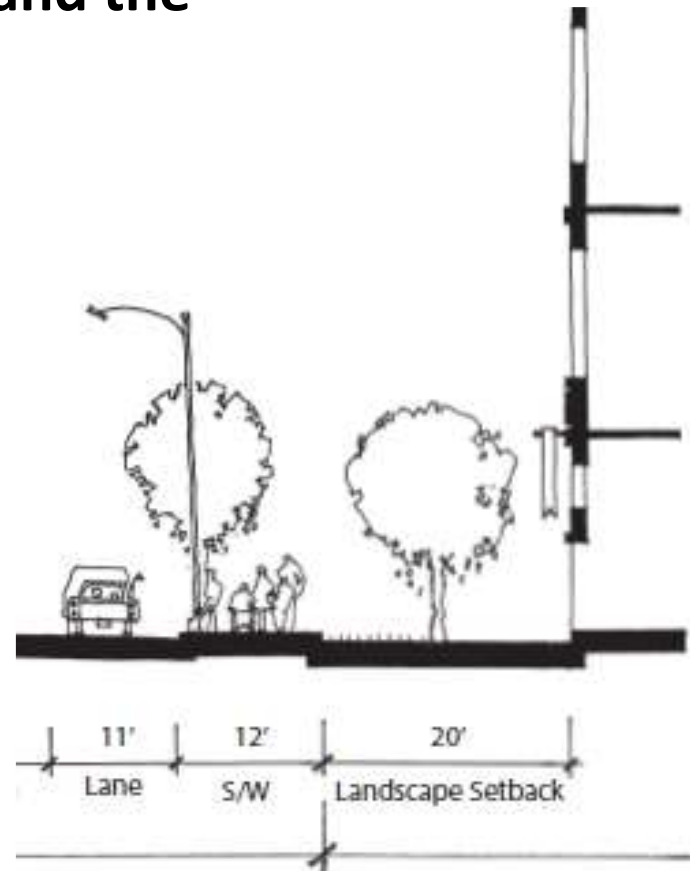
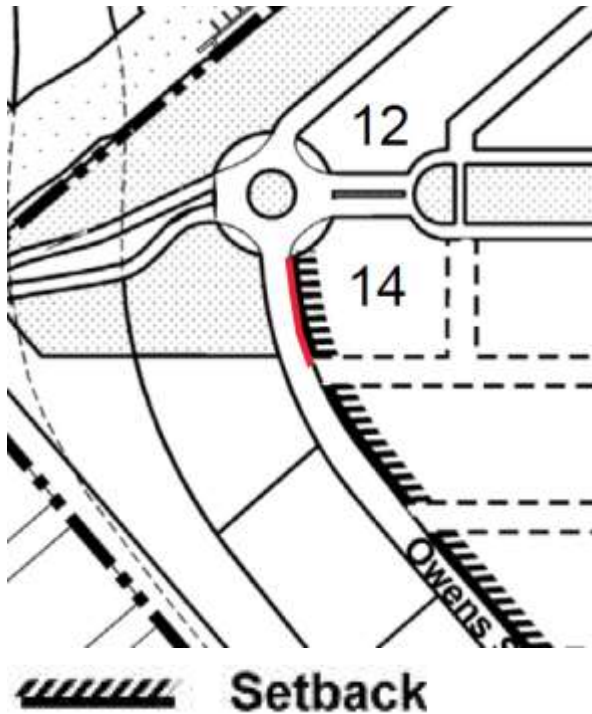
- **State Law: Prohibits a school site that is within 500 feet from the edge of the closest traffic lane of a freeway or other busy traffic corridor (CA Education Code Sec. 17213, Public Resources Code 21151.8)**
- **Proposed Amendment to match State Code**



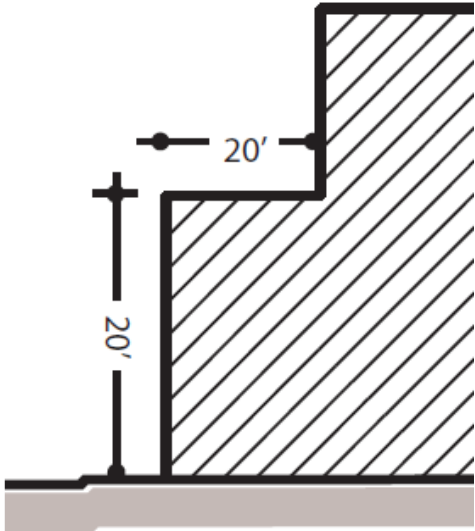
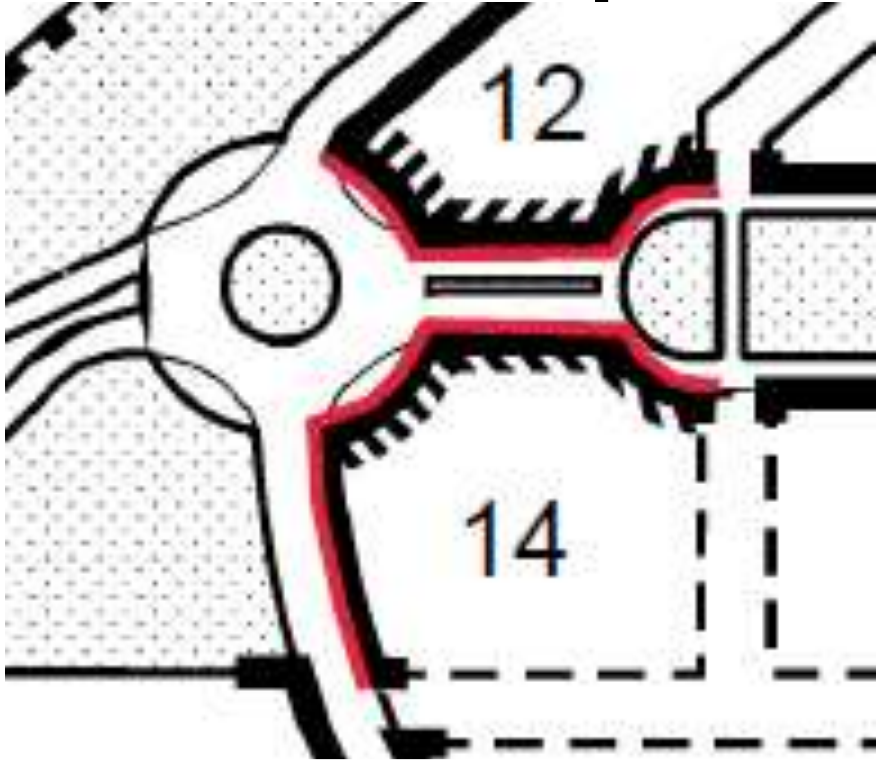
Proposed MBS Design For Development Amendment

Definition

- **Setback:** The area between the edge of a building and the property line.



Proposed MBS Design For Development Amendment



Build 100% of streetwall length
and buildings to be minimum 20'
high with a minimum depth of
20'



Build 70% of Streetwall length

